

ULTICLIP[®]

ULTIMATE CARRY SOLUTIONS

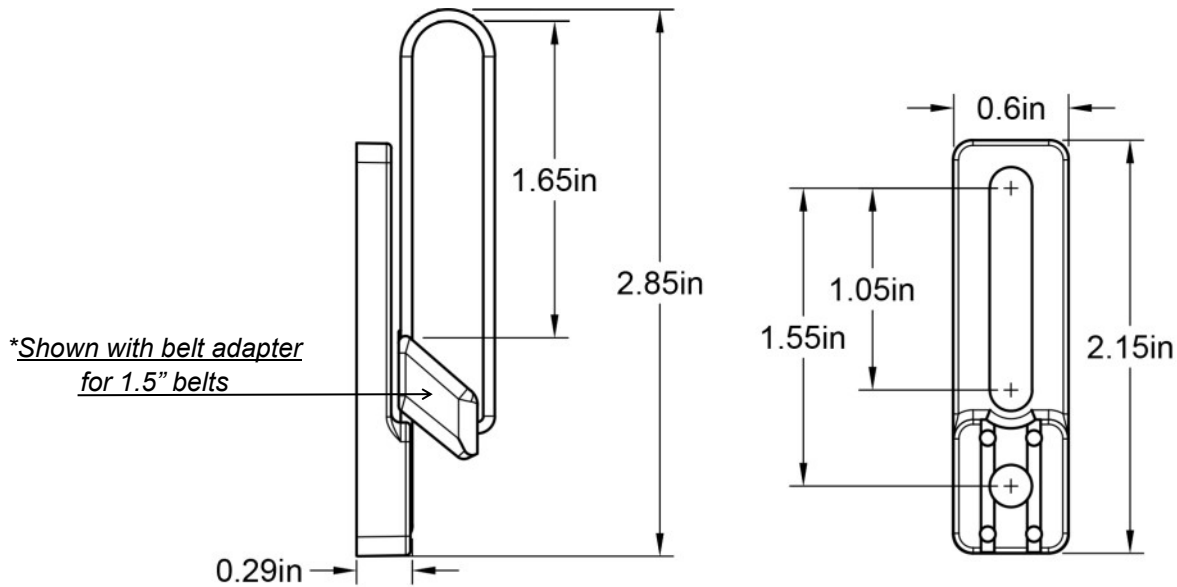
AP CLIP

Mounting Template

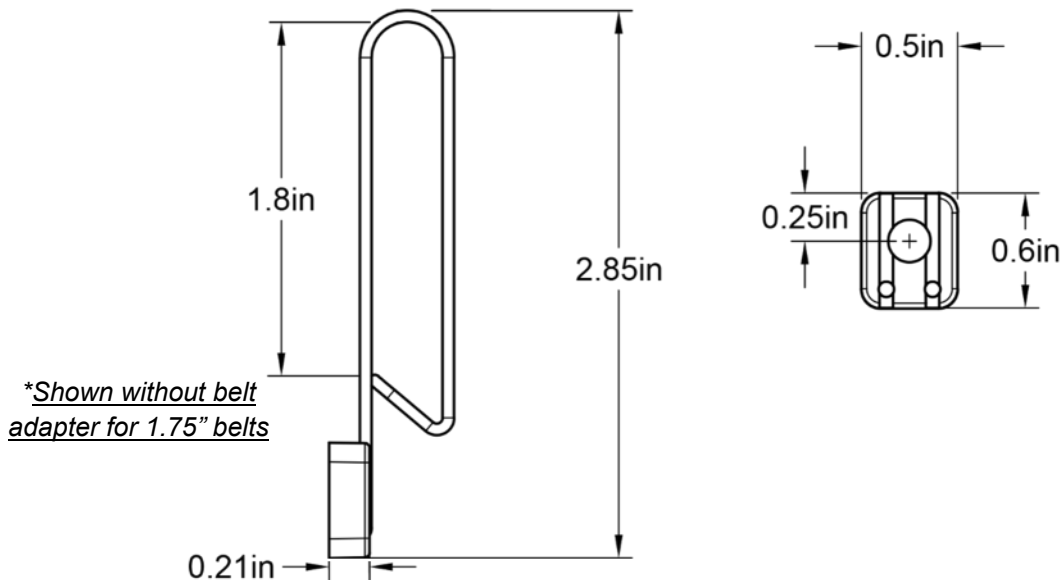
This template may be printed and used to check for correct length, width and hole alignment. If your web browser does not print the template to scale you will need to download the file and open it with Acrobat Reader, then choose "actual size" as your print option.

***The AP Clip can be used with 1.5" or 1.75" wide belts up to 3/8" thick.**

****Mounting block holes accommodate a standard 8-32 screw & post**



LONG MOUNTING BLOCK



SHORT MOUNTING BLOCK